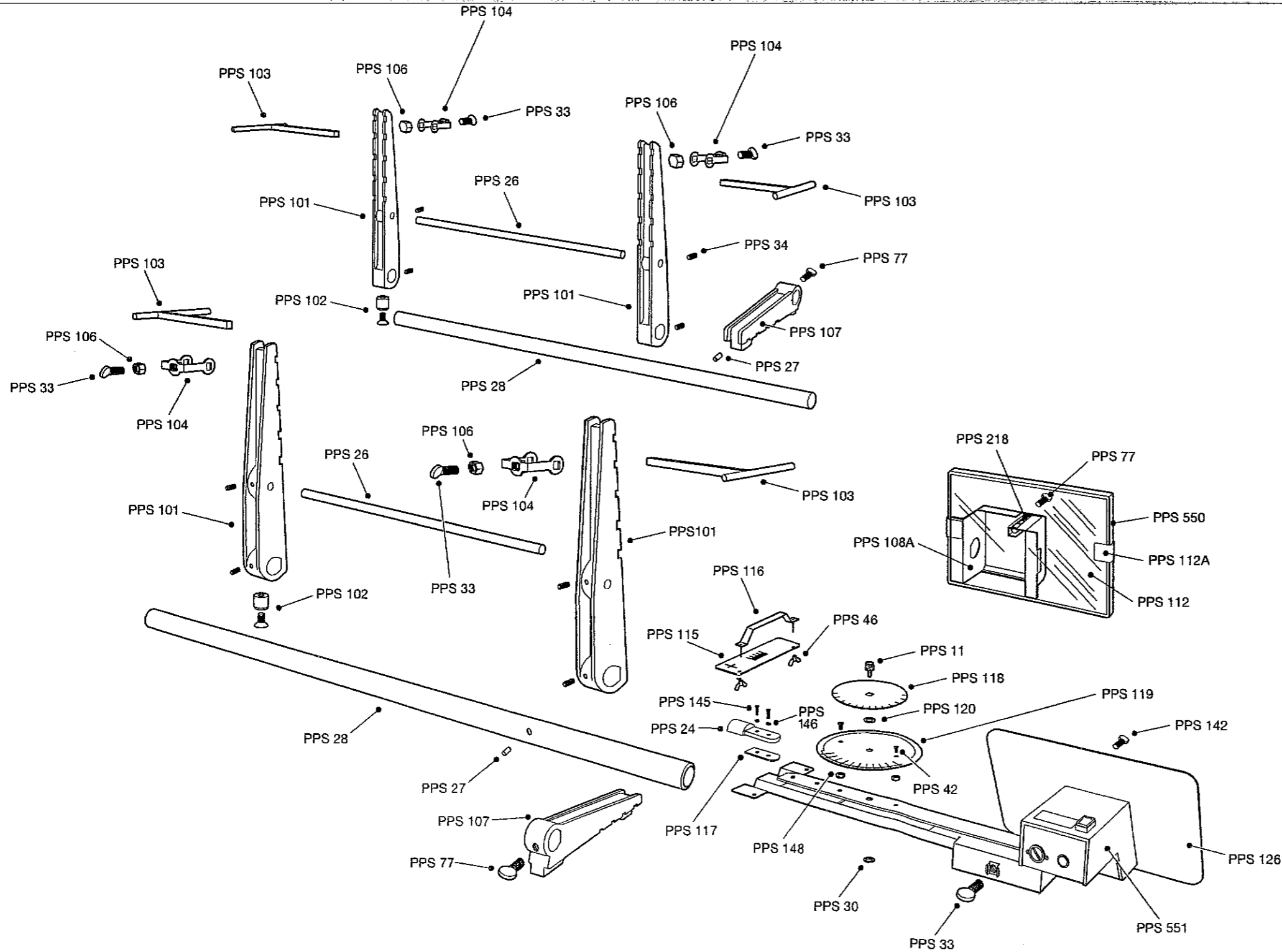


PPL 40 Laser Wheel Alignment Gauge



Spare Parts List

Part No	Description	Number Per Gauge
PPS101	Arm	4
PPS102	Foot assembly	2
PPS103	Contact bar	4
PPS104	Strap	4
PPS105	** *** M8 Cage nut	7
PPS106	Nylon cap	4
PPS107	Balance leg	2
PPS108A	*** Mirror bracket	1
PPS112	*** Mirror	1
PPS112A	*** Mirror clip	2
PPS113	Logo label large - Precision Point	1
PPS115	** Scale plate	1
PPS116	** Guide strip	1
PPS117	** M3 Tapped plate	1
PPS118	** Top dial	1
PPS119	** Lower dial	1
PPS120	** Spacer washer	1
PPS126	** Target plate	1
PPS131	** Laser warning label	1
PPS135	Logo label small - Precision Point	1
PPS141	** AA Battery	2
PPS142	M4 x 8 P/H screw	4
PPS143	M4 Standard washer	6
PPS144	Shipment carton	1
PPS146	** M3 Standard washer	2
PPS148	** M3 Locknut	2
PPS218	*** Level vial	1
PPS11	** Knob	1
PPS24	Lens	1
PPS26	Tie bar	2
PPS27	Bar peg	2
PPS28	Main bar	2
PPS30	** Truarc S/loc ring	1
PPS33	** *** M8 x 30 Thumb screw	7
PPS34	M8 x 10 Grub screw	8
PPS39	** M4 Double coil washer	2
PPS42	M3 x 8 C/S Screw	2
PPS46	** M3 Wing nut	2
PPS77	M8 x 20 Thumb Screw	2

Sub Assemblies

PPS550 (Items marked ***)	Mirror bracket assembly complete	1
PPS551 (Items marked **)	Laser head assembly	1