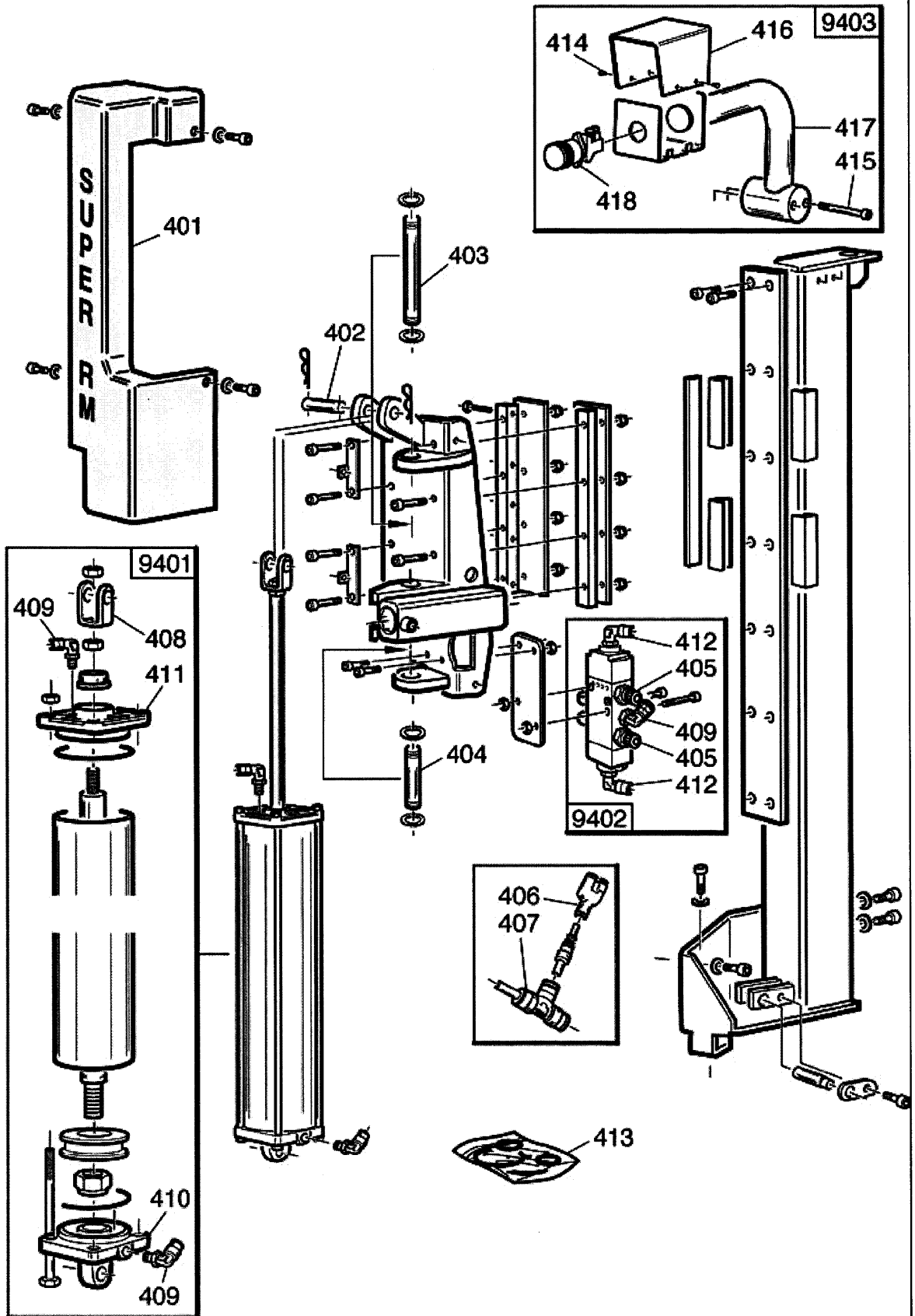


**LISTA COMPONENTI**  
**LIST OF COMPONENTS**  
**LISTE DE COMPOSANTS**  
**ERSATZTEILLISTE**  
**LISTA DE LOS COMPONENTES**

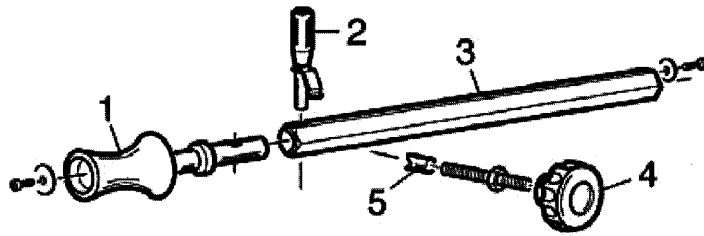


**Super RM**

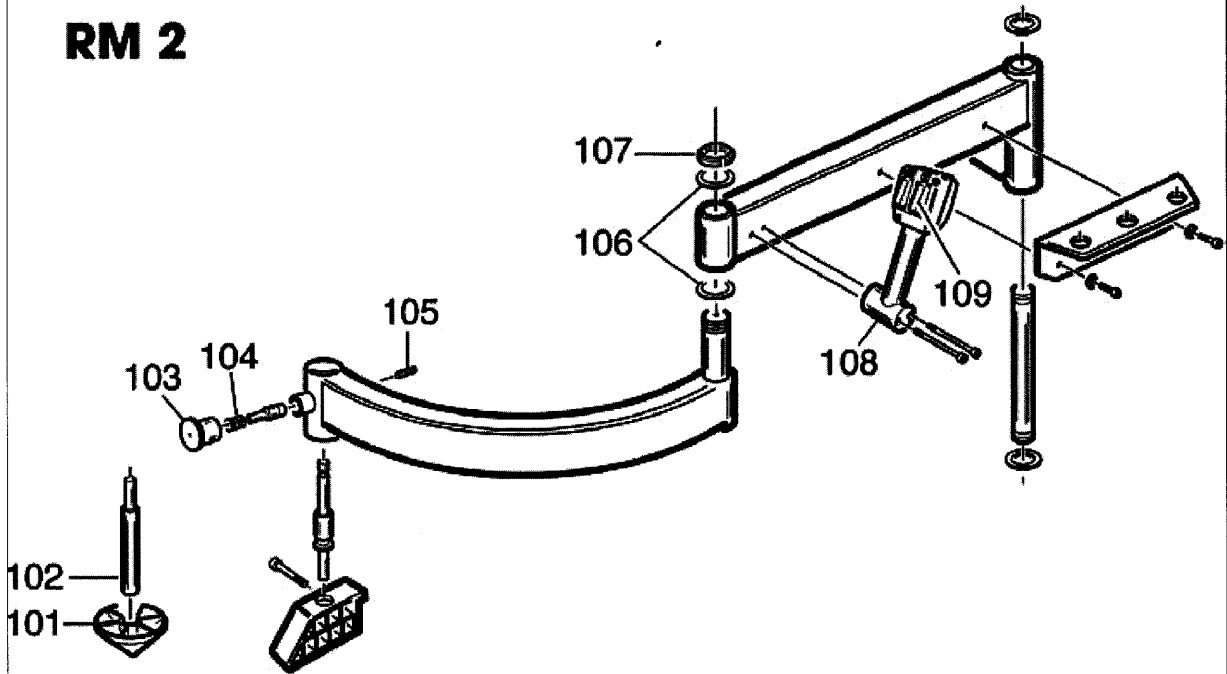
# SUPER RM



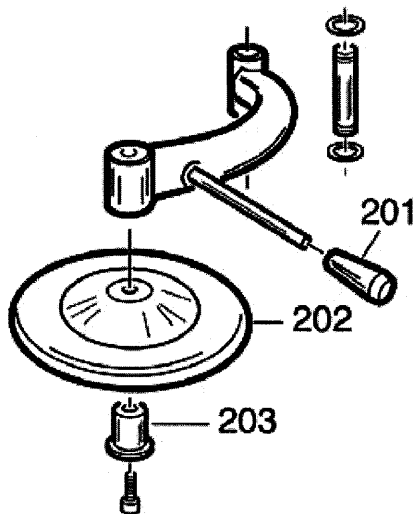
### RM 1



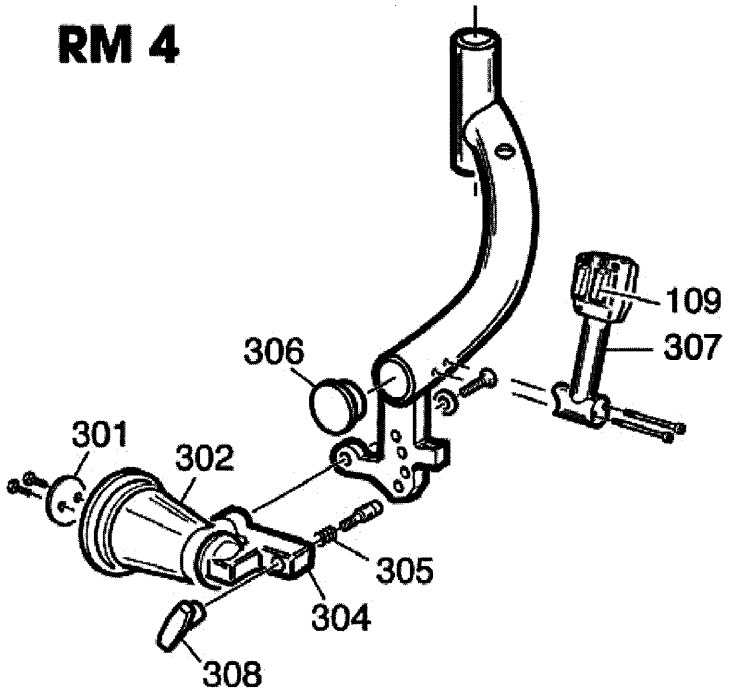
### RM 2



### RM 3



### RM 4



<b>POS.</b>	<b>COD.</b>	<b>DESCRIZIONE</b>	<b>DESCRIPTION</b>
0001	4-103215	RULLO	ROLLER
0002	263496	MANIGLIA	HANDLE
0003	360379	ASTA	SHAFT
0004	459897	MANIGLIA	HANDLE
0005	360153	PASTIGLIA	PIN
0101	460013	CONO	CONE
0102	360018	PERNO	PIN
0103	4-101443	POMOLO	KNOB
0104	4-101422	MOLLA	SPRING
0105	421227	VITE	SCREW
0106	4-102536	RONDELLA	WASHER
0107	421096	GHIERA	NUT
0108	5-100855	MANIGLIA COMPLETA	HANDLE ASS.Y
0109	3-00386	MICROINTERRUPTORE	MICROSWITCH
0201	87221002	POMOLO	KNOB
0202	454832	DISCO	DISK
0203	354939	BOCCOLA	BUSHING
0301	33016482	RONDELLA	WASHER
0302	35016483	RULLO	ROLLER
0304	36016680	SUPPORTO	SUPPORT
0305	33009297	MOLLA	SPRING
0306	35016483	RULLO	ROLLER
0307	5-100804	MANIGLIA COMPLETA	HANDLE ASS.Y
0308	87220652	MANIGLIA	HANDLE
0401	4-102489	CARTER	CARTER
0402	4-102493	PERNO	PIN
0403	4-102490	PERNO	PIN
0404	4-102491	PERNO	PIN
0405	433675	REGOLATORE	REGULATOR
0406	3-00238	RACCORDO	FITTING
0407	443431	RACCORDO	FITTING
0408	323350	CAVALLOTTO	U-BOLT
0409	443367	RACCORDO	FITTING
0410	339152	FLANGIA	FLANGE
0411	338300	FLANGIA	FLANGE
0412	444511	RACCORDO	FITTING
0413	241484	KIT GUATNIZIONI	SEALS KIT
0414	2-91688	VITE	SCREW
0415	2-00317	VITE	SCREW
0416	4-102777	COPERCHIO	COVER
0417	4-102773	BRACCIO SUPPORTO	SUPPORT ARM
0418	5-100857	VALVOLA UNIVER	UNIVER VALVE
9401	5-100784	CILINDRO	CYLINDER
9402	5-100807	VALVOLA	VALVE
9403	5-100856	BRACCIO PORTA VALVOLA	VALVE SUPPORT ARM

**SUPER RM**



**MONDOLFO FERRO S.p.a.**

Viale dell'Industria, 20 - 61037 MONDOLFO (PU) Italy

Tel. 0721.93671 - Fax 0721.930238

[export.dpt@mondolfoferro.it](mailto:export.dpt@mondolfoferro.it)

[commitalia@mondolfoferro.it](mailto:commitalia@mondolfoferro.it)

[www.mondolfoferro.it](http://www.mondolfoferro.it)

cod.4-103244B REV.1.2 0405

